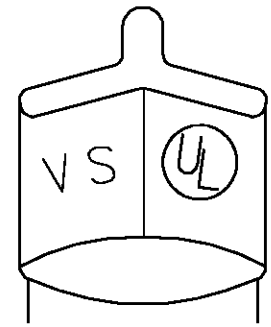
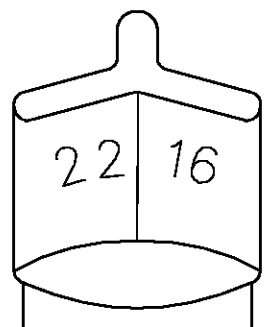
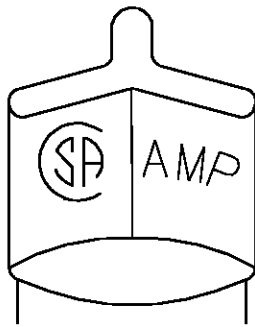


THIS DRAWING IS UNPUBLISHED. RELEASED FOR PUBLICATION
 © COPYRIGHT BY TYCO ELECTRONICS CORPORATION. ALL RIGHTS RESERVED.

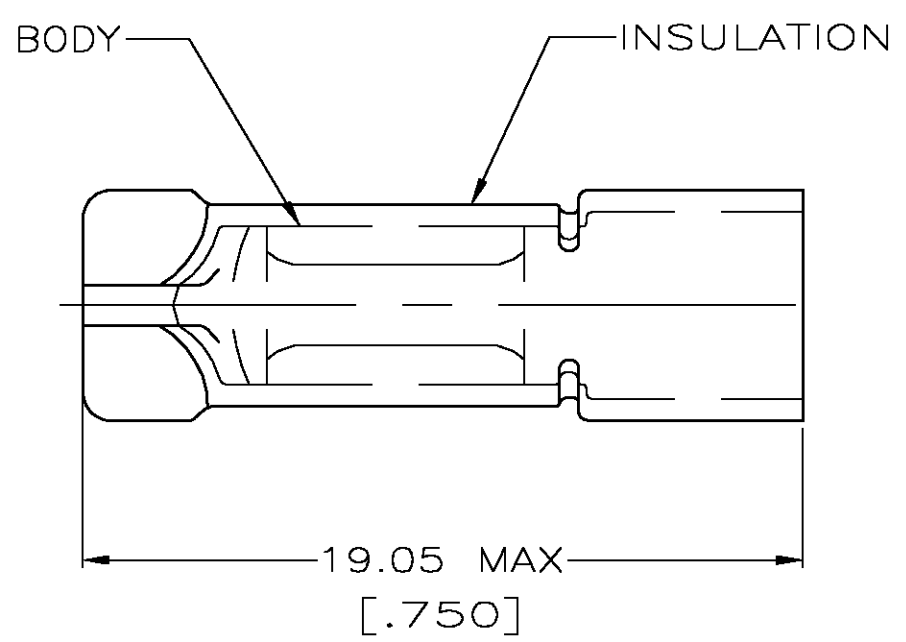
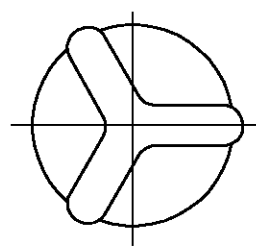
LOC	DIST	REVISIONS					
		P	LTR	DESCRIPTION	DATE	DWN	APVD
G	14		M	REV PER 0G3A-0256-04	13APR04	JR	TM



DETAIL OF STAMPING

- 1 FOR 4.39 [.173] MAX WIRE INSULATION DIA
- 2 MATERIAL: BODY; COPPER PER ASTM B152 INSULATION; PVC COLOR; BLUE
- 3 FINISH: BODY; TIN PLATE PER ASTM B-545

AMP WIRE RANGE	Listed	LR7189 Certified
22-16 AWG SOLID OR STRANDED	22-16 AWG SOLID OR STRANDED	22-16 AWG SOLID OR STRANDED



QTY	DESCRIPTION	PART NO
100	LOOSE PC,BOX	8-34306-1
-	LOOSE PC	34306

AMP INCORPORATED CUSTOMER SERVICE SYSTEMS	
FOR ADDITIONAL PRODUCT INFORMATION OR COPIES OF DRAWINGS AND TECHNICAL DOCUMENTS	PRODUCT INFORMATION CENTER 1-800-522-6752
FOR APPLICATION TOOLING INFORMATION	TOOLING ASSISTANCE CENTER 1-800-722-1111
FOR ORDER ENTRY	1-800-526-5142

MAX RECOMMENDED OPERATING TEMPERATURE: 90° C MAX
VOLTAGE RATING: 300V MAX
CIRCULAR MIL AREA: 1.65-2.47mm² [3248-4872] SOLID OR STRANDED

THIS DRAWING IS A CONTROLLED DOCUMENT.	
DIMENSIONS: INCHES	TOLERANCES UNLESS OTHERWISE SPECIFIED:
	0 PLC ± -
	1 PLC ± -
	2 PLC ± 0.20 [.008]
	3 PLC ± -
	4 PLC ± -
	ANGLES ± -
MATERIAL	FINISH
- 2	- 3

DWN G KRUPER 1/93	Tyco Electronics Corporation Harrisburg, Pa 17105-3608
CHK R HERSEY 1/93	
APVD M ELLIS 1/93	
PRODUCT SPEC	
APPLICATION SPEC	NAME SPLICE, WIRE, CLOSED END
WEIGHT	SIZE A3
CUSTOMER DRAWING	CAGE CODE 00779
	DRAWING NO C-34306
	RESTRICTED TO
	SCALE 5:1
	SHEET 1 OF 1
	REV M